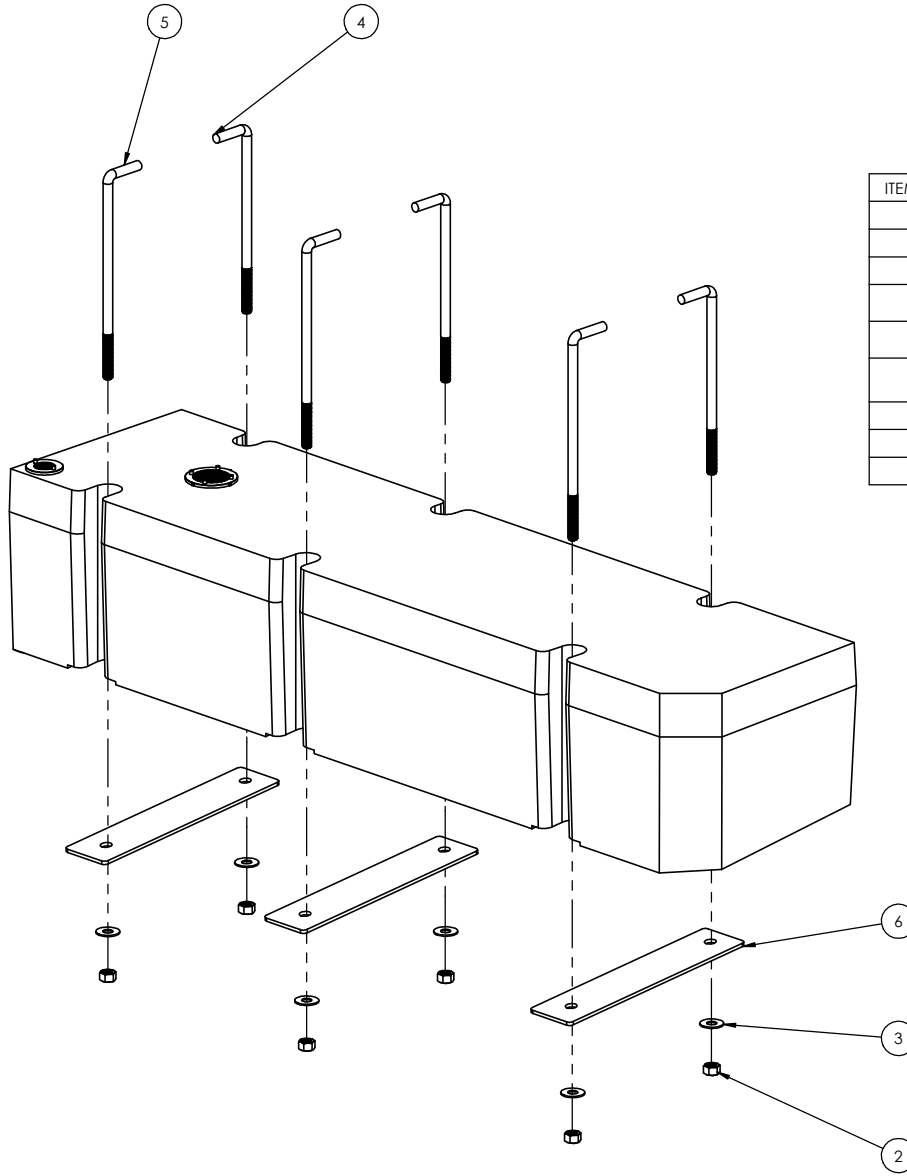



PROPRIETARY AND CONFIDENTIAL  
 THE INFORMATION CONTAINED IN THIS DRAWING IS THE SOLE PROPERTY  
 OF S&B FILTERS, INC. ANY REPRODUCTION IN PART OR AS A WHOLE  
 WITHOUT THE WRITTEN PERMISSION OF S&B FILTERS, INC. IS PROHIBITED.



ITEM NO.	PART NUMBER	DESCRIPTION	QTY.
1	10-3012	10-3012	1
2	AI2763-00	--	6
3	AI2764-00	--	6
4	TI1345-00	L Hook, Anchor Bolt, 1/2"-13 Thread, 10.5"	3
5	TI1346-00	L Hook, Anchor Bolt, 1/2"-13 Thread, 11.5"	3
6	TI1343-00	Mounting Strap, Driver Side, 13" long, 10-3012	3
7	TI1276-00	1/2" NPT Flush Female Spinweld	2
8	TI1318-00	1-1/2"FPT Flush W/ Membrane Spin Weld	1
9	4880K803	3/4 FPT Flush Spin Weld	1

UNLESS OTHERWISE SPECIFIED: DIMENSIONS ARE IN INCHES TOLERANCES: FRACTIONAL $\pm 1/16$ " ANGULAR: MAX $\pm .25^\circ$ BEND $\pm 1^\circ$ TWO PLACE DECIMAL $\pm .05$ " THREE PLACE DECIMAL $\pm .005$ " INTERPRET GEOMETRIC TOLERANCING PER: ASME Y14.5M-1994	NAME	DATE	TITLE:	
	A.C.	09/14/2022	10-3012 TANK ASSEMBLY	
	CHECKED		SIZE	DWG. NO.
	MATERIAL	SEE BOM	C	10-3012-SBT
	FINISH	N/A	REV	A
		SCALE: 1:5 DO NOT SCALE DRAWING SHEET 1 OF 1		