

## Universal Lightbar Bracket

### Features

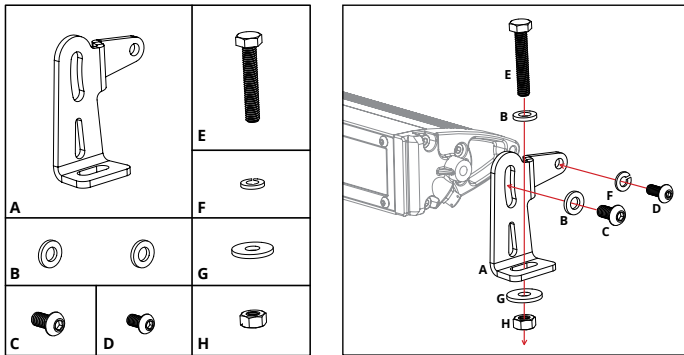
- Holds one Stage Series Lightbar
- Highly durable stainless steel construction
- Includes all necessary mounting hardware

### In the Box

- One (1) Stage Series Lightbar Universal Bracket Set
- Mounting Hardware

### Mounting

This universal lightbar bracket kit is used to mount your Stage Series light bar. A number of fasteners are included, and can be used as you see fit. The most common mounting style is shown below.



**This installation guide is for the following SKU:** DD6028 Stage Series Lightbar Universal Bracket Kit

Please contact **Diode Dynamics** should you have any questions about the installation process, at **314-205-3033** (10a-5p CST) or **contact@diodedynamics.com**.