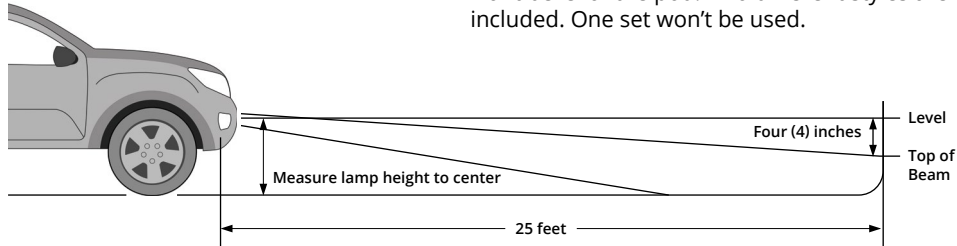


13. Aim your SS3 pods on each side, so that the top of the beam pattern is on the cutoff line mark.

14. Tighten the 5/32" allen bolts back down to complete the installation. Do not overtighten or use power tools to torque them down.

15. If desired, install the included snap-on cover onto your SS3. Simply snap the cover onto the front bezel of the pod. Two different styles are included. One set won't be used.



Please contact **Diode Dynamics** should you have any questions about the installation or wiring process, at **314-205-3033** (10a-5p CST) or [contact@diodedynamics.com](mailto:contact@diodedynamics.com).

**NEED MORE HELP?**

Scan the QR code to link to our YouTube Channel!

We continuously bring in vehicles to our testing garage in order to create step-by-step videos to walk you through the installation process on your specific vehicle. Scan the QR code to see all our installation videos. Be sure to subscribe to our channel to stay up-to-date on the newest products and videos from Diode Dynamics!



**This installation guide is for the following SKUs:**

- DD6221** Worklight SS3 Sport Type GM Kit White SAE Driving
- DD6222** Worklight SS3 Sport Type GM Kit White SAE Fog
- DD6224** Worklight SS3 Sport Type GM Kit Yellow SAE Fog
- DD6225** Worklight SS3 Pro Type GM Kit White SAE Driving

- DD6226** Worklight SS3 Pro Type GM Kit White SAE Fog
- DD6228** Worklight SS3 Pro Type GM Kit Yellow SAE Fog
- DD6690** Worklight SS3 Max Type GM Kit White SAE Fog
- DD6691** Worklight SS3 Max Type GM Kit Yellow SAE Fog

**100% SATISFACTION**  
**GUARANTEE**

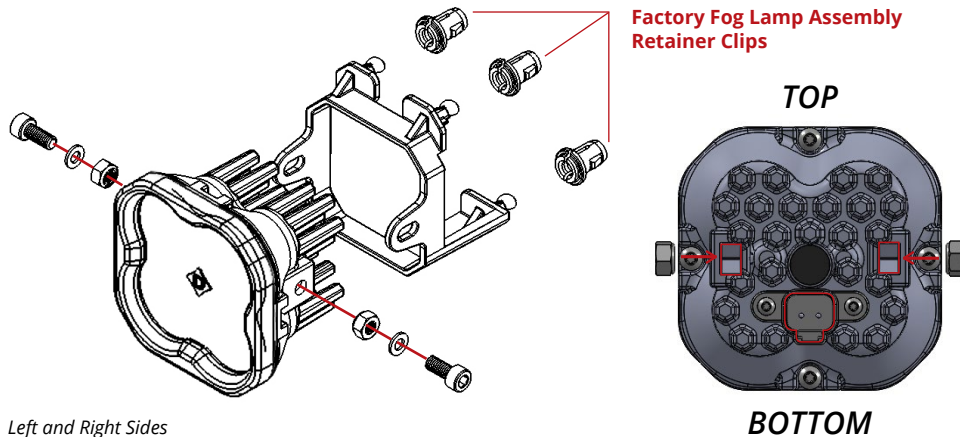


Thank you for your purchase of our new SS3 Type GM Foglight Kit. CAD-designed to use existing mounting points, this kit is compatible with many Chevy, GMC, Ford, and Pontiac models. Basic installation instructions are included below.

**Please contact us if you have any questions.**



COMPUTER DESIGNED  
**OEM FITMENT**



Left and Right Sides

1. Install the supplied nuts into the pod housing with the nylon facing inward. Attach the bracket to the pod using the supplied screws and washers. Make sure the bracket is in the correct orientation. See diagrams above. Ensure that the screws are tightened such that the pod retains its position, but can pivot with force for aiming.
2. Remove the fog light bezel from the bumper, by applying pressure on the tabs holding it in place. Pull toward the front of the vehicle to remove.
3. Remove the factory fog light housing. Pinch the three retainer clips while pulling the lamp toward the front of the vehicle. The retainer clips will be reused.
4. Reinstall the factory fog light bezel, by aligning the tabs and clipping it back into the bumper.
5. Remove the retainer clips from the factory fog light. Pry them gently off the foglight housing. Install them on your new SS3 mounting bracket.
6. Install your new SS3 pod by pushing directly into place. Be sure all three retainer clips seat fully, and are aligned correctly.
7. Repeat the steps on the other side of the vehicle.

## Aiming Instructions



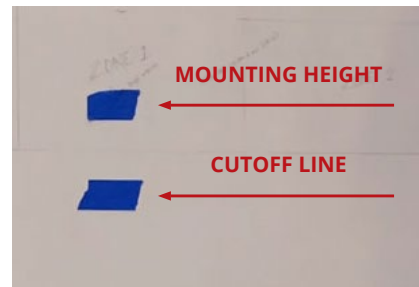
8. Park your vehicle 25 feet away from a wall or garage door on a level surface.



9. Loosen the 5/32" allen bolts on each side of your SS3 pod, just enough to allow you to adjust the pod.



10. On your vehicle, measure the distance between the ground and the center of your SS3 pod. This is your mounting height.



11. Mark the mounting height on the wall or garage door using tape.

12. Add another piece of tape four inches below the mounting height. This is your fog light cutoff line.

*See back for further instructions.*